



Bolt to Floor Damage resistant
anti-ligature WC pan

Applications

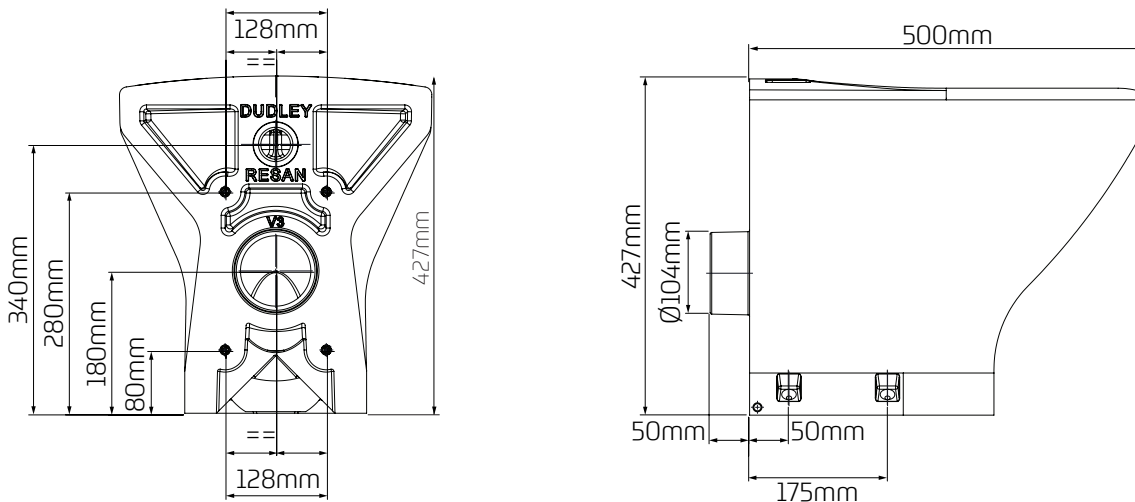
Suitable for installation within custodial, healthcare and commercial environments.

Features

- ~ Anti-Ligature
- ~ Damage resistant
- ~ Standard white WC pans are cast in a single piece, reducing join joints which are difficult to clean and enhancing strength
- ~ The waste spigot height is 180mm (BS EN 33)
- ~ Easily renewable surface - no gel coat
- ~ Supports requirements of WAT 01 BREEAM
- ~ UKCA/CE Marked



Dimensional Data



Technical Data

Material	Polymer Resin
Available Finishes	Polished Resin for Gloss Effect
Product Weight	46 kg
Fixing Orientation	Floor Fixed
Fixing Size	M6 CSK Floor fixing points [fixings not provided]
Standard Conformity	BS 476 Pt.6 Fire propagation & surface spread flame. ISO EN 19712-3-2007 Rated 5 for durability, stain resistance, cigarette burns etc. BS EN 33 Performance tested to BS997
Product Code	334084



Dudley



RESAN® PAN STANDARD HEIGHT V3

Bolt to Floor Damage resistant
anti-ligature WC pan with blue seat

Applications

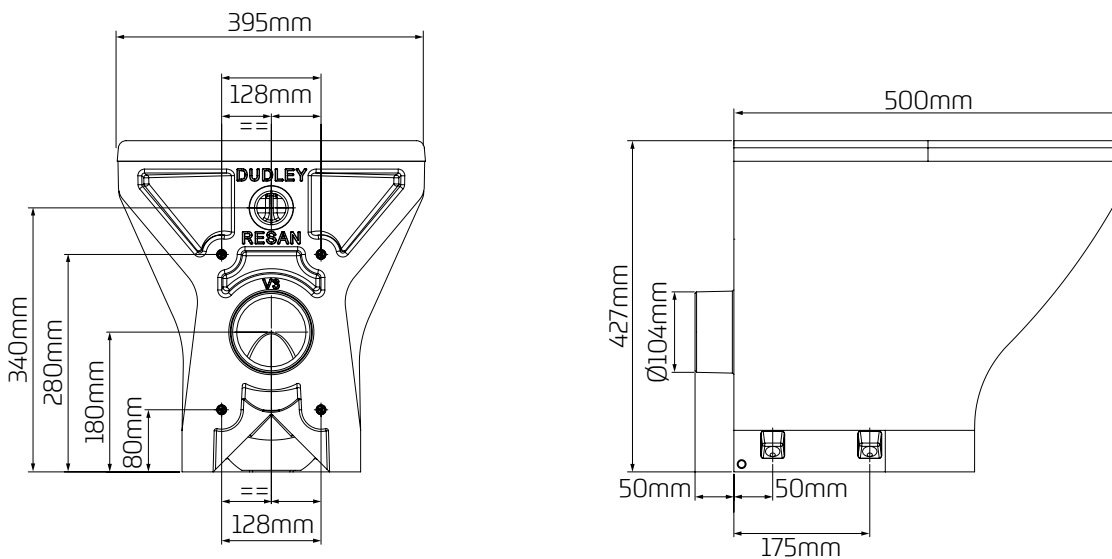
Suitable for installation within custodial, healthcare and commercial environments.

Features

- ~ Anti-Ligature
- ~ Damage resistant
- ~ Blue integral moulded seat aids the visually impaired and provides a normalised environment in mental healthcare applications
- ~ The waste spigot height is 180mm (BS EN 33)
- ~ Easily renewable surface - no gel coat
- ~ Supports requirements of WAT 01 BREEAM
- ~ CE Marked



Dimensional Data



Technical Data

Material	Polymer Resin
Available Finishes	Polished Resin for Gloss Effect
Seat Colour	Blue – RAL 5003
Product Weight	47 kg
Fixing Orientation	Floor Fixed
Fixing Size	M6 CSK Floor fixing points [Fixings not provided]
Standard Conformity	BS 476 Pt.6 Fire propagation & surface spread flame. ISO EN 19712-3-2007 Rated 5 for durability, stain resistance, cigarette burns etc. BS EN 33 Performance tested to BS997
Product Code	334085



T H O M A S 
D U D L E Y 

Dudley



RESAN® PAN STANDARD HEIGHT V3

Bolt to Floor Damage resistant
anti-ligature WC pan with grey seat

Applications

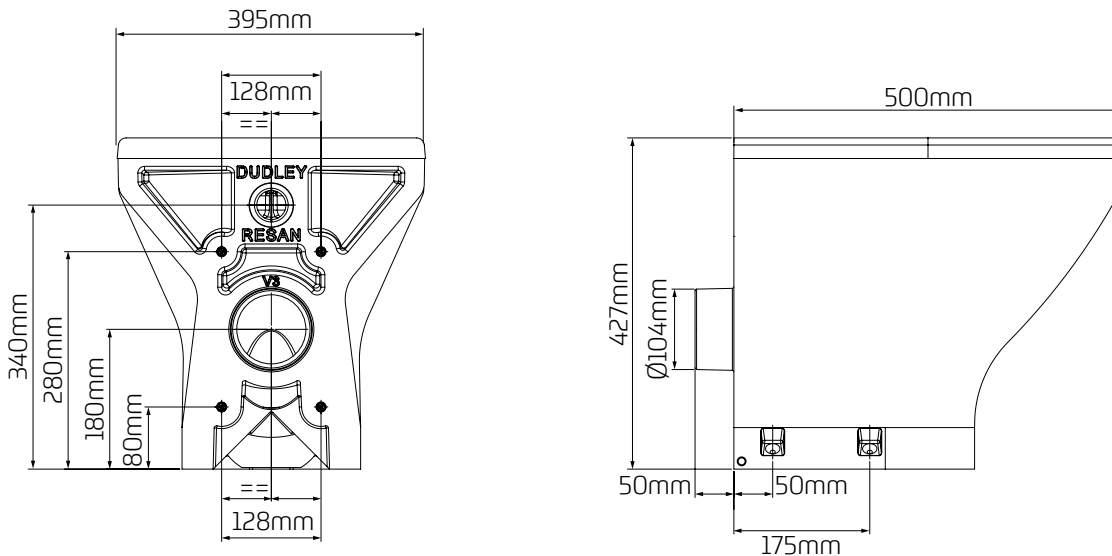
Suitable for installation within custodial, healthcare and commercial environments.

Features

- ~ Anti-Ligature
- ~ Damage resistant
- ~ Grey integral moulded seat aids the visually impaired and provides a normalised environment in mental healthcare applications
- ~ The waste spigot height is 180mm (BS EN 33)
- ~ Easily renewable surface - no gel coat
- ~ Supports requirements of WAT 01 BREEAM
- ~ CE Marked



Dimensional Data



Technical Data

Material	Polymer Resin
Available Finishes	Polished Resin for Gloss Effect
Seat Colour	Grey – RAL 7022
Product Weight	47 kg
Fixing Orientation	Floor Fixed [Fixings not provided]
Fixing Size	M6 CSK Floor fixing points
Standard Conformity	BS 476 Pt.6 Fire propagation & surface spread flame. ISO EN 19712-3-2007 Rated 5 for durability, stain resistance, cigarette burns etc. BS EN 33 Performance tested to BS997
Product Code	375048



T H O M A S 
D U D L E Y 

Dudley



RESAN® PAN STANDARD HEIGHT V3

Bolt to Wall
Damage resistant anti-ligature WC pan

Applications

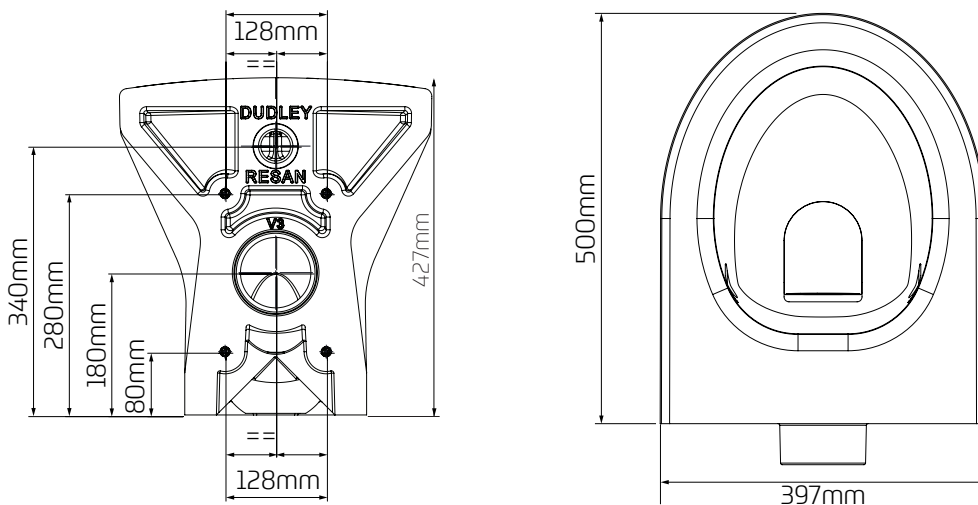
Suitable for installation within custodial, healthcare and commercial environments.

Features

- ~ Anti-Ligature
- ~ Damage resistant
- ~ Standard white WC pans are cast in a single piece, reducing join joints which are difficult to clean and enhancing strength
- ~ The waste spigot height is 180mm (BS EN 33)
- ~ Easily renewable surface - no gel coat
- ~ Supports requirements of WAT 01 BREEAM
- ~ CE Marked
- ~ UK Ministry Of Justice Safer Cell Approved



Dimensional Data



Technical Data

Material	Polymer Resin
Available Finishes	Polished Resin for Gloss Effect
Product Weight	46 kg
Fixing Orientation	Wall Fixed
Fixing Size	M10
Standard Conformity	BS 476 Pt.6 Fire propagation & surface spread flame. ISO EN 19712-3-2007 Rated 5 for durability, stain resistance, cigarette burns etc. BS EN 33 Performance tested to BS997
Product Code	334077

Dudley



RESAN® PAN STANDARD HEIGHT V3

Bolt to Wall, Damage resistant
anti-ligature WC panpan with blue seat

Applications

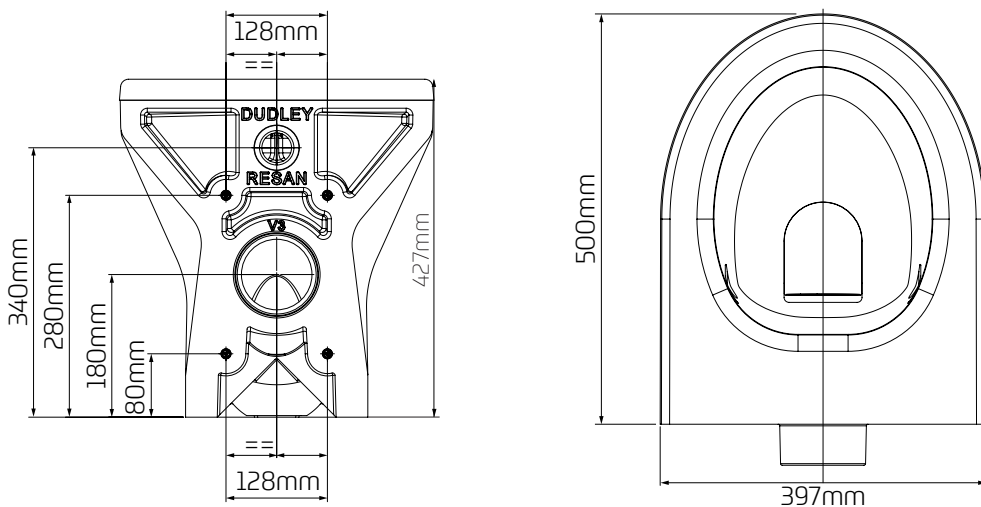
Suitable for installation within custodial, healthcare and commercial environments.

Features

- ~ Anti-Ligature
- ~ Damage resistant
- ~ Blue integral moulded seat aids the visually impaired and provides a normalised environment in mental healthcare applications
- ~ The waste spigot height is 180mm (BS EN 33)
- ~ Easily renewable surface - no gel coat
- ~ Supports requirements of WAT 01 BREEAM
- ~ UKCA/CE Marked
- ~ UK Ministry Of Justice Safer Cell Approved



Dimensional Data



Technical Data

Material	Polymer Resin
Available Finishes	Polished Resin for Gloss Effect
Seat Colour	Blue – RAL 5003
Product Weight	47 kg
Fixing Orientation	Wall Fixed
Fixing Size	M6 CSK Floor fixing points
Standard Conformity	BS 476 Pt.6 Fire propagation & surface spread flame. ISO EN 19712-3-2007 Rated 5 for durability, stain resistance, cigarette burns etc. BS EN 33 Performance tested to BS997
Product Code	334086



T H O M A S 
D U D L E Y 

Dudley



RESAN® PAN STANDARD HEIGHT V3

Bolt to Wall, Damage resistant
anti-ligature WC panpan with grey seat

Applications

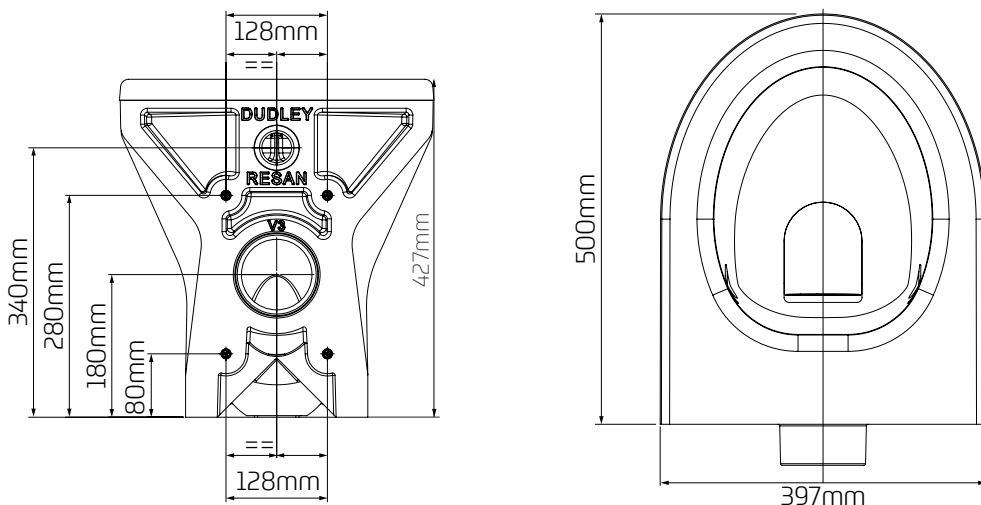
Suitable for installation within custodial, healthcare and commercial environments.

Features

- ~ Anti-Ligature
- ~ Damage resistant
- ~ Grey integral moulded seat aids the visually impaired and provides a normalised environment in mental healthcare applications
- ~ The waste spigot height is 180mm (BS EN 33)
- ~ Easily renewable surface - no gel coat
- ~ Supports requirements of WAT 01 BREEAM
- ~ CE Marked
- ~ UK Ministry Of Justice Safer Cell Approved



Dimensional Data



Technical Data

Material	Polymer Resin
Available Finishes	Polished Resin for Gloss Effect
Seat Colour	Grey – RAL 7022
Product Weight	47 kg
Fixing Orientation	Wall Fixed
Fixing Size	M6 CSK Floor fixing points
Standard Conformity	BS 476 Pt.6 Fire propagation & surface spread flame. ISO EN 19712-3-2007 Rated 5 for durability, stain resistance, cigarette burns etc. BS EN 33 Performance tested to BS997
Product Code	375047



T H O M A S TD
D U D L E Y