

Dudley



RESAN® PAN FOR LESS ABLED

Floor Fixed Less able damage resistant
anti-ligature WC pan

Applications

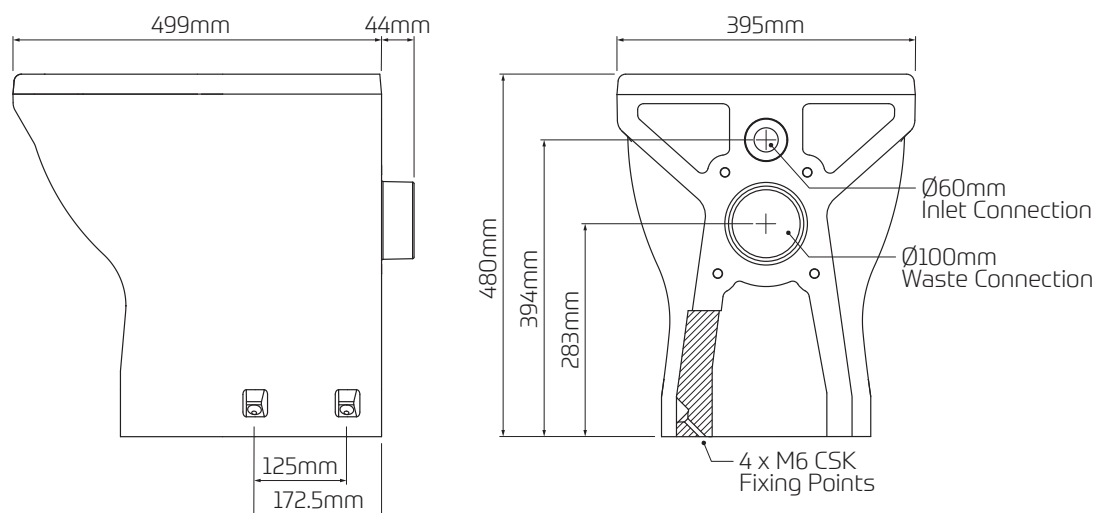
Suitable for installation within custodial, healthcare and commercial environments.

Features

- ~ Damage resistant
- ~ Anti-ligature
- ~ Standard white WC pans are cast in a single piece, reducing join joints which are difficult to clean and enhancing strength
- ~ The waste spigot height is 283mm
- ~ This raised height WC is considered as 'comfort height' being 480mm high rather than the standard 415mm
- ~ Range of activation and control options available
- ~ Raised height for less able applications
- ~ EN outlet connection
- ~ CE Marked



Dimensional Data



Technical Data

Material	Polymer Resin
Available Finishes	Matt, Gloss
Product Weight	52 kg
Fixing Orientation	Floor Fixed
Fixing Size	M6 CSK Floor fixing points
Standard Conformity	BS 476 Pt.6 Fire propagation & surface spread of flame. ISO EN 19712-3-2007 Rated 5 for durability, stain resistance, cigarette burns etc.
Product Code	372561



T H O M A S
D U D L E Y



Dudley



RESAN® PAN FOR LESS ABLED

Floor Fixed Less able damage resistant anti-ligature WC pan with blue seat

Applications

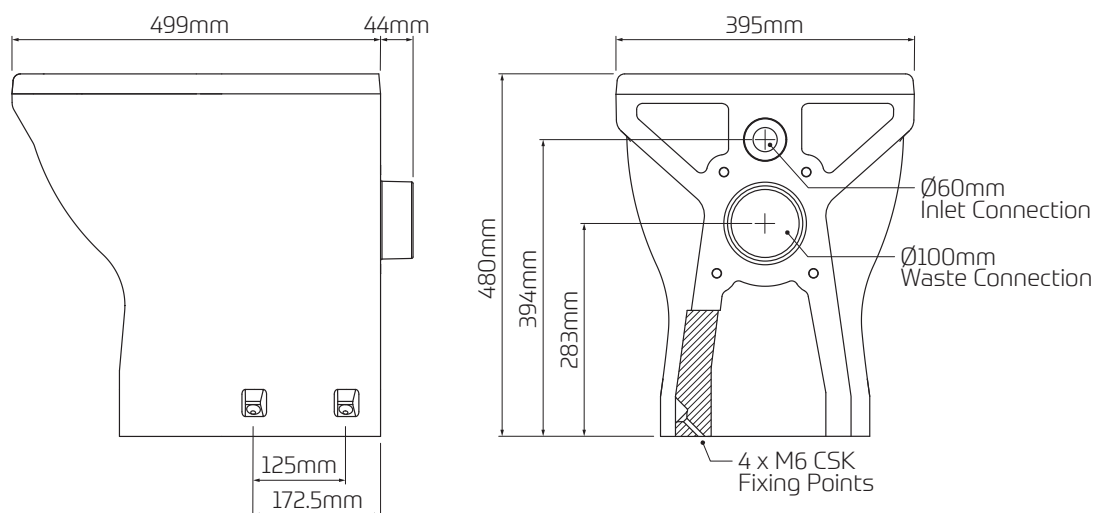
Suitable for installation within custodial, healthcare and commercial environments.

Features

- ~ Damage resistant and Anti-ligature
- ~ Blue integral moulded seat aids the visually impaired and provides a normalised environment in mental healthcare applications
- ~ The waste spigot height is 283mm
- ~ This raised height WC is considered as 'comfort height' being 480mm high rather than the standard 415mm
- ~ Range of activation and control options available
- ~ Raised height for less able applications
- ~ EN outlet connection



Dimensional Data



Technical Data

Material	Polymer Resin
Available Finishes	Matt, Gloss
Seat Colour	Blue - RAL 5003
Product Weight	52 kg
Fixing Orientation	Floor Fixed
Fixing Size	M6 CSK Floor fixing points
Standard Conformity	BS 476 Pt.6 Fire propagation & surface spread of flame. ISO EN 19712-3-2007 Rated 5 for durability, stain resistance, cigarette burns etc.
Product Code	372562



T H O M A S
D U D L E Y



Dudley



RESAN® PAN FOR LESS ABLED

Wall Fixed Less able damage resistant
anti-ligature WC pan with grey seat

Applications

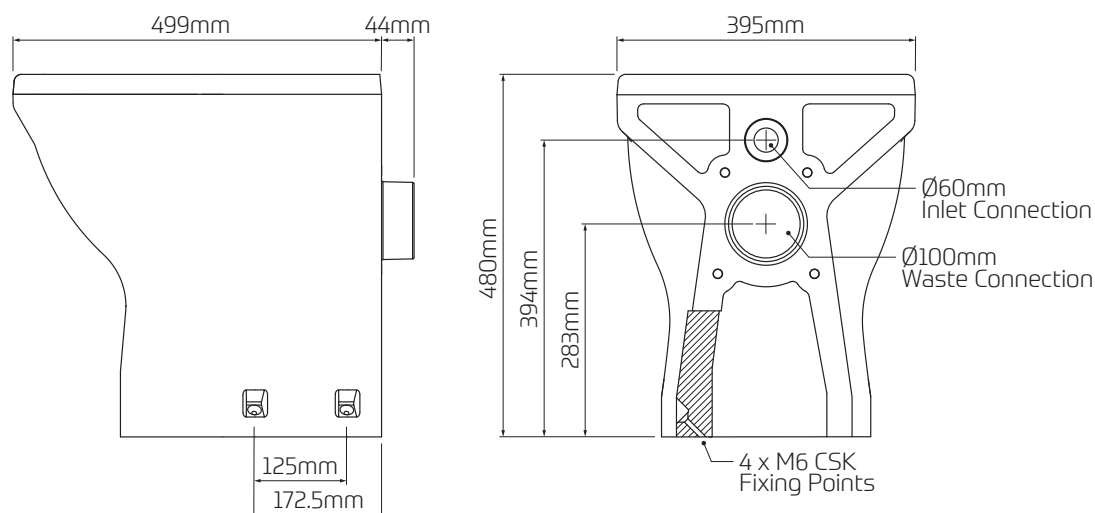
Suitable for installation within custodial, healthcare and commercial environments.

Features

- ~ Damage resistant and Anti-ligature
- ~ Anti-ligature
- ~ Grey integral moulded seat aids the visually impaired and provides a normalised environment in mental healthcare applications
- ~ The waste spigot height is 283mm
- ~ This raised height WC is considered as 'comfort height' being 480mm high rather than the standard 415mm
- ~ Range of activation and control options available
- ~ Raised height for less able applications
- ~ EN outlet connection



Dimensional Data



Technical Data

Material	Polymer Resin
Available Finishes	Matt, Gloss
Seat Colour	Grey - RAL 7022
Product Weight	52 kg
Fixing Orientation	Floor Fixed
Fixing Size	M6 CSK Floor fixing points
Standard Conformity	BS 476 Pt.6 Fire propagation & surface spread of flame. ISO EN 19712-3-2007 Rated 5 for durability, stain resistance, cigarette burns etc.
Product Code	372563



T H O M A S
D U D L E Y





Wall Fixed Less able damage resistant
anti-ligature WC pan

Applications

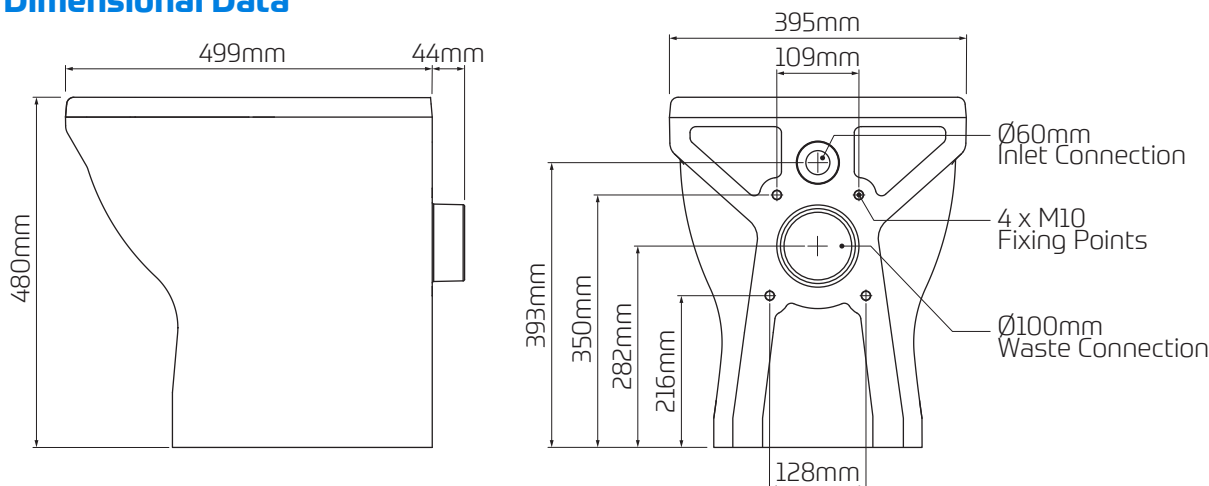
Suitable for installation within custodial, healthcare and commercial environments.

Features

- ~ Damage resistant
- ~ Anti-ligature
- ~ Standard white WC pans are cast in a single piece, reducing join joints which are difficult to clean and enhancing strength
- ~ The waste spigot height is 283mm
- ~ This raised height WC is considered as 'comfort height' being 480mm high rather than the standard 415mm
- ~ Range of activation and control options available
- ~ Raised height for less able applications
- ~ EN outlet connection
- ~ CE Marked
- ~ UK Ministry Of Justice Safer Cell Approved



Dimensional Data



Technical Data

Material	Polymer Resin
Available Finishes	Matt, Gloss
Product Weight	52 kg
Fixing Orientation	Wall Fixed
Fixing Size	M10
Standard Conformity	BS 476 Pt.6 Fire propagation & surface spread of flame. ISO EN 19712-3-2007 Rated 5 for durability, stain resistance, cigarette burns etc.
Product Code	372558



Dudley



RESAN® PAN FOR LESS ABLED

Wall Fixed Less able damage resistant
anti-ligature WC pan with blue seat

Applications

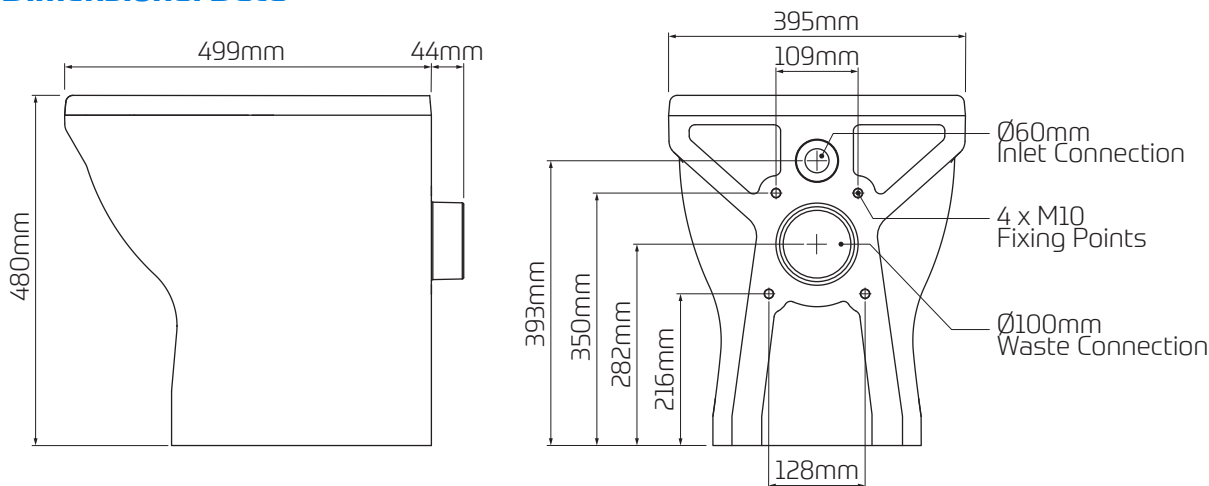
Suitable for installation within custodial, healthcare and commercial environments.

Features

- ~ Damage resistant and Anti-ligature
- ~ Blue integral moulded seat aids the visually impaired and provides a normalised environment in mental healthcare applications
- ~ The waste spigot height is 283mm
- ~ This raised height WC is considered as 'comfort height' being 480mm high rather than the standard 415mm
- ~ UK Ministry Of Justice Safer Cell Approved
- ~ Range of activation and control options available
- ~ Raised height for less able applications
- ~ EN outlet connection
- ~ UK Ministry Of Justice Safer Cell Approved



Dimensional Data



Technical Data

Material	Polymer Resin
Available Finishes	Matt, Gloss
Seat Colour	Blue - RAL 5003
Product Weight	52 kg
Fixing Orientation	Wall Fixed
Fixing Size	M10
Standard Conformity	BS 476 Pt.6 Fire propagation & surface spread of flame. ISO EN 19712-3-2007 Rated 5 for durability, stain resistance, cigarette burns etc.
Product Code	372559



T H O M A S 
D U D L E Y 



Wall Fixed Less able damage resistant anti-ligature WC pan with grey seat

Applications

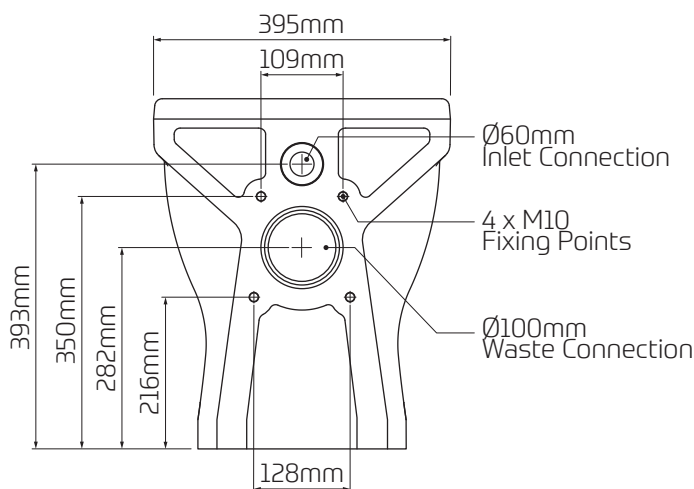
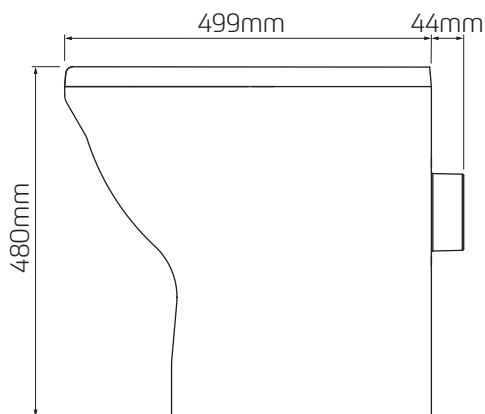
Suitable for installation within custodial, healthcare and commercial environments.

Features

- ~ Damage resistant and Anti-ligature
- ~ Grey integral moulded seat aids the visually impaired and provides a normalised environment in mental healthcare applications
- ~ The waste spigot height is 283mm
- ~ This raised height WC is considered as 'comfort height' being 480mm high rather than the standard 415mm
- ~ UK Ministry Of Justice Safer Cell Approved
- ~ Range of activation and control options available
- ~ Raised height for less able applications
- ~ EN outlet connection
- ~ UK Ministry Of Justice Safer Cell Approved



Dimensional Data



Technical Data

Material	Polymer Resin
Available Finishes	Matt, Gloss
Seat Colour	Grey - RAL 7022
Product Weight	52 kg
Fixing Orientation	Wall Fixed
Fixing Size	M10
Standard Conformity	BS 476 Pt.6 Fire propagation & surface spread of flame. ISO EN 19712-3-2007 Rated 5 for durability, stain resistance, cigarette burns etc.
Product Code	372560





To suit Resan V2 less able pan

Applications

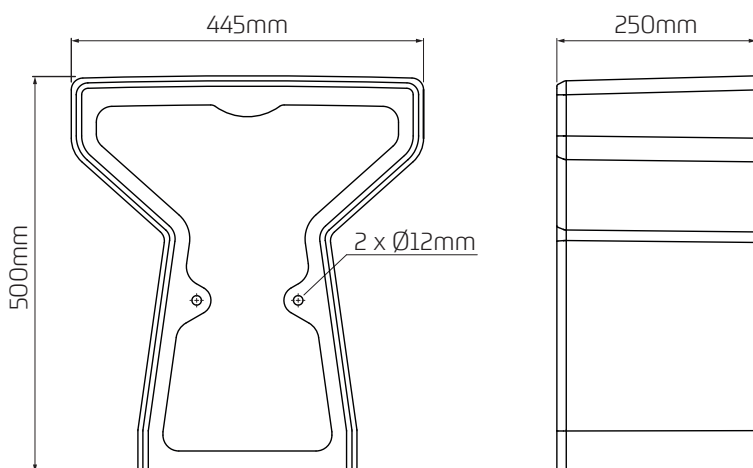
Suitable for installation within custodial, healthcare and commercial environments.

Features

- ~ Enables Resan V2 Less Able Pan to be installed 250mm from rear wall for increased access
- ~ Extension Box not fitted as standard, with Resan Pans for less abled; an extension box can be provided which extends the projection of the pan out from the wall to 750mm from the standard 500mm
- ~ Damage resistant
- ~ Anti-ligature



Dimensional Data



Technical Data

Material	Polymer Resin
Available Finishes	Matt, Gloss
Product Weight	14.5 kg
Fixing Orientation	Wall fixed
Fixing Size	M10
Standard Conformity	BS 476 Pt.6 Fire propagation & surface spread of flame. ISO EN 19712-3-2007 Rated 5 for durability, stain resistance, cigarette burns etc.
Product Code	372564

