



### Applications

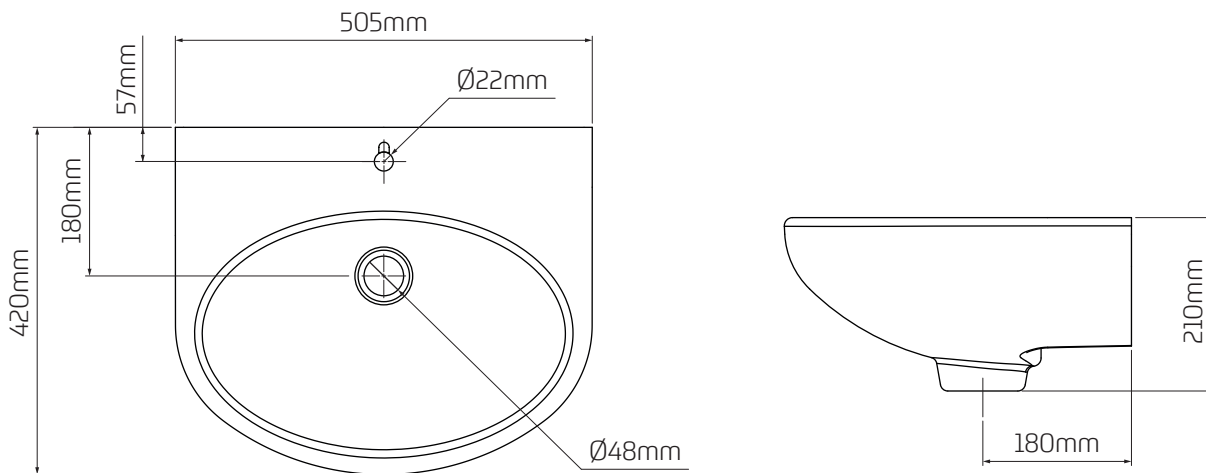
Suitable for installation within custodial, healthcare and commercial environments.

### Features

- ~ Damage resistant
- ~ Centre tap hole
- ~ For use with robust wall fixing bracket (supplied separately)
- ~ Range of activation and control options available
- ~ Suitable as a direct retrofit for existing ceramic basin
- ~ Designed to suit our anti-vandal tap, and compatible with other pillar taps featuring a 180 mm centre spacing as shown in the line drawing



### Dimensional Data



For wall fixing information see Resan Oval basin bracket data sheet

### Technical Data

Material	Polymer Resin
Available Finishes	Matt, Gloss
Product Weight	21 kg
Fixing Orientation	Wall Fixed (Bracket Required)
Standard Conformity	BS 476 Pt.6 Fire propagation & surface spread of flame. ISO EN 19712-3-2007 Rated 5 for durability, stain resistance, Cigarette burns etc.
Product Code	333973



### Applications

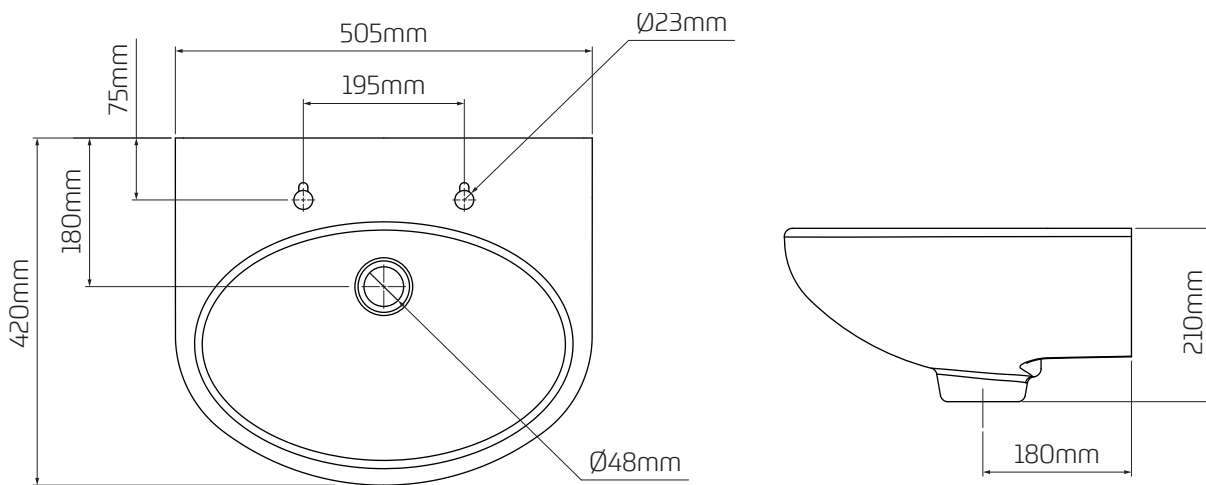
Suitable for installation within custodial, healthcare and commercial environments.

### Features

- ~ Damage resistant
- ~ Dual tap holes
- ~ For use with robust wall fixing bracket (supplied separately)
- ~ Range of activation and control options available
- ~ Suitable as a direct retrofit for existing ceramic basin
- ~ Designed to suit our anti-vandal tap, and compatible with other pillar taps featuring a 180 mm centre spacing as shown in the line drawing



### Dimensional Data



For wall fixing information see Resan Oval basin bracket data sheet

### Technical Data

Material	Polymer Resin
Available Finishes	Matt, Gloss
Product Weight	21 kg
Fixing Orientation	Wall Fixed (Bracket Required)
Standard Conformity	BS 476 Pt.6 Fire propagation & surface spread of flame. ISO EN 19712-3-2007 Rated 5 for durability, stain resistance, Cigarette burns etc.
Product Code	330813