



Applications

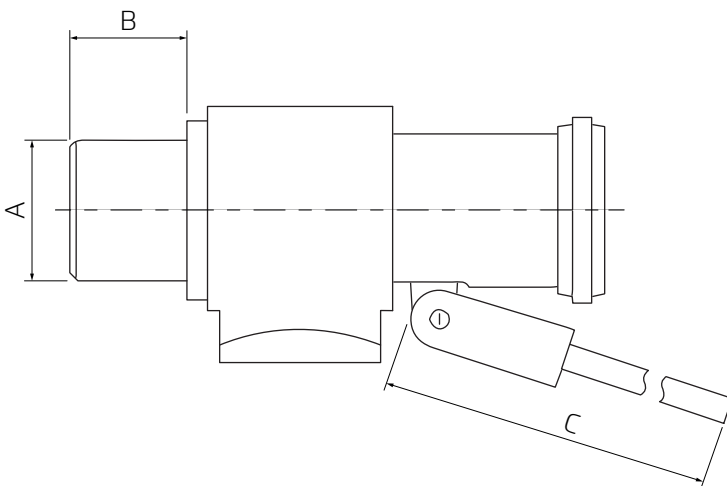
Cistern/tank inlet valve. For use in both domestic and commercial environments.

Features

- ~ Equilibrium shut off mechanism
- ~ Bottom discharge
- ~ Brass back nuts



Dimensional Data



Technical Data

	(A) Inlet	(B) Tail Length	(C) Lever Length	Float Thread	Rec. Float Size	Max P.
366952	1 ¼" BSP	1 ⅞"	10 13/16"	9/16" BSW	10"	14 bar
366953	1 ½" BSP	1 ⅞"	10 13/16"	9/16" BSW	10"	14 bar
366954	2" BSP	2 ⅞"	11 ⅞"	5/8" BSW	12"	14 bar
366955	2 ½" BSP	3"	19"	9/16" BSW	12"	10 bar
366956	3" BSP	3 ½"	20"	3/4" BSW	14"	10 bar
366957	4" BSP	4"	21"	3/4" BSW	15"	10 bar
366958	6" BSP	5"	23"	7/8" BSW	16"	10 bar