



Applications

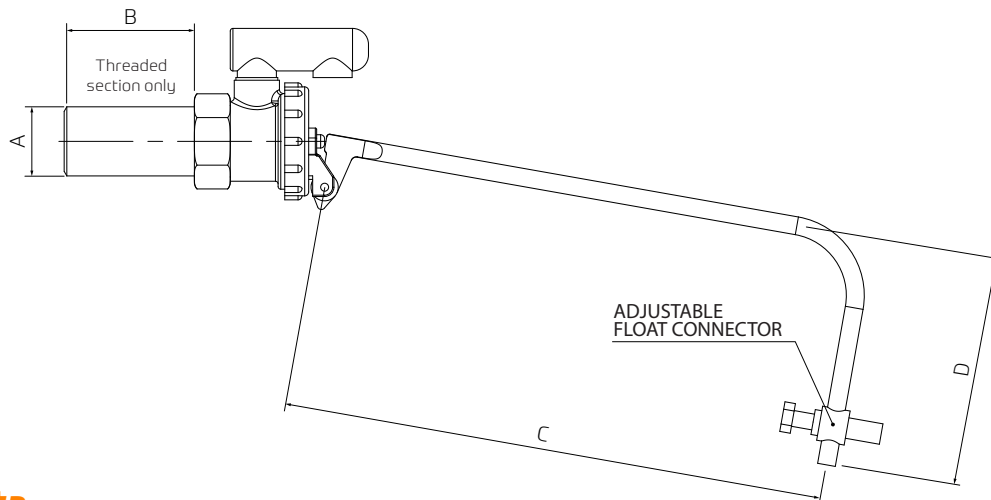
Cistern/tank inlet valve. For use in both domestic & commercial environments

Features

- ~ BS 1212 Part 2 compliant
- ~ Rotatable top discharge
- ~ Removable acetal seat for temperatures up to 60°C
- ~ Bronze seats available for temperatures of up to 80°C
- ~ Acetal back nuts
- ~ Brass back nuts available upon request
- ~ Various lever lengths available
- ~ Adjustable float connection



Dimensional Data



Technical Data

High Pressure									
	(A) Inlet	(B) Tail Length	(C) Lever Length	(D) Lever Length	Seat	Float Thread	Rec. Float Dia.	Max P.	Backplate
366860	½" BSP	1 ¼"	8 ¾"	3 ½"	⅛" Nylon	5/16" BSW	4 ½"	20 bar	Brass
366878	½" BSP	1 ¼"	8 ¾"	3 ½"	¼" Nylon	5/16" BSW	4 ½"	20 bar	Plastic
366879	½" BSP	2"	8 ¾"	3 ½"	¼" Nylon	5/16" BSW	4 ½"	20 bar	Brass
366880	½" BSP	3"	8 ¾"	3 ½"	¼" Nylon	5/16" BSW	4 ½"	20 bar	Brass
366886 [Non WRAS Approved]	¾" BSP	1 ½"	8 ¾"	3 ½"	¼" Nylon	5/16" BSW	6"	20 bar	Brass
Low Pressure									
330085	½" BSP	1 ¼"	8 ¾"	3 ½"	⅜" Nylon	5/16" BSW	4 ½"	3 bar	Brass
366898	½" BSP	2"	8 ¾"	3 ½"	⅜" Nylon	5/16" BSW	4 ½"	3 bar	Brass
366898	½" BSP	3"	8 ¾"	3 ½"	⅜" Nylon	5/16" BSW	4 ½"	3 bar	Brass
366892 [Non WRAS Approved]	¾" BSP	1 ½"	8 ¾"	3 ½"	¾" Nylon	5/16" BSW	6"	3 bar	Brass
Medium Pressure									
366890	½" BSP	1 ¼"	8 ¾"	3 ½"	⅜" Nylon	5/16" BSW	4 ½"	7 bar	Brass