



## BALL FLOATS

Large plastic ball floats with brass thread insert

### Applications

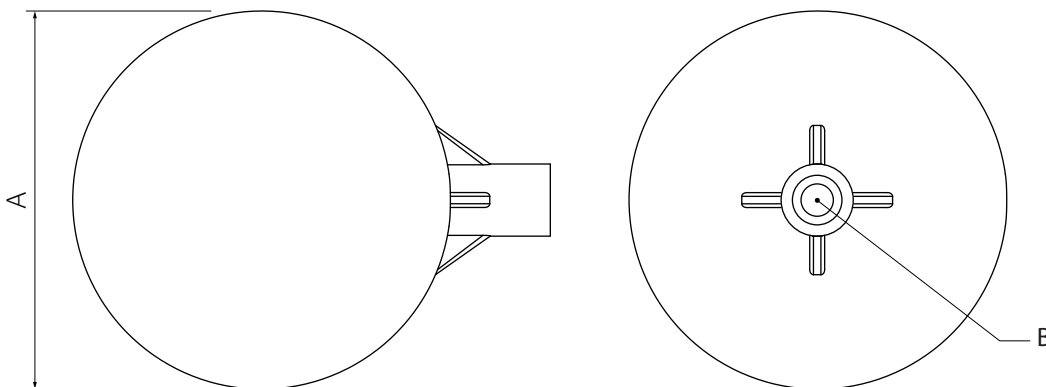
For use with part 1, 2 and 3 ball valves.

### Features

- ~ Plastic construction
- ~ Spherical float
- ~ Orange moulded colour
- ~ Brass thread insert



### Dimensional Data



### Technical Data

	(A) Diameter	(B) Thread Size	Type	Colour
366794	8"	7/16"	Spherical	Orange
366795	10"	9/16"	Spherical	Orange
366796	12"	5/8"	Spherical	Orange