

# Dudley



## TRI-SHELL® TURBO

Syphon flushing exposed cistern

### Applications

Ideal for use in domestic and commercial applications, particularly where risk of vandalism or misuse is present.

### Water Saving

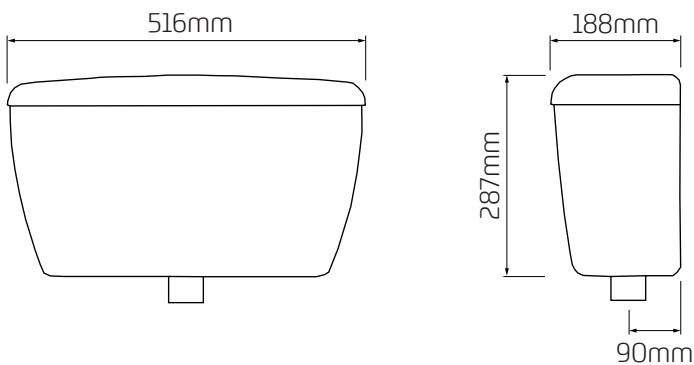
- ~ 6/7 litre convertible full flush
- ~ Dudley Duoflush delivers water saving reduced flush when lever is held down and full flush when lever is depressed and released
- ~ Approved by the European Water Label Scheme
- ~ Supports BREEAM.

### Features

- ~ WRAS approved Dudley Beta inlet valve
- ~ WRAS approved Dudley Turbo™ 88 syphon
- ~ Suitable for low level, high level and close-coupled installations
- ~ Internal overflow warning
- ~ Internal parts comply with the Regulator's Specification.



### Dimensional Data



### Technical Data

Material	High Density Polystyrene (PS)
Inlet	Dudley Beta Inlet Valve: Side or Bottom (Upgrade available)
Outlet	Dudley Turbo 88 Syphon
Flush Volume	Duoflush: 6/4 Litre, 7/5 Litre (9 Litre available)
Product Code	315754

T H O M A S   
D U D L E Y 