



Applications

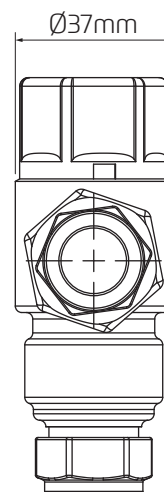
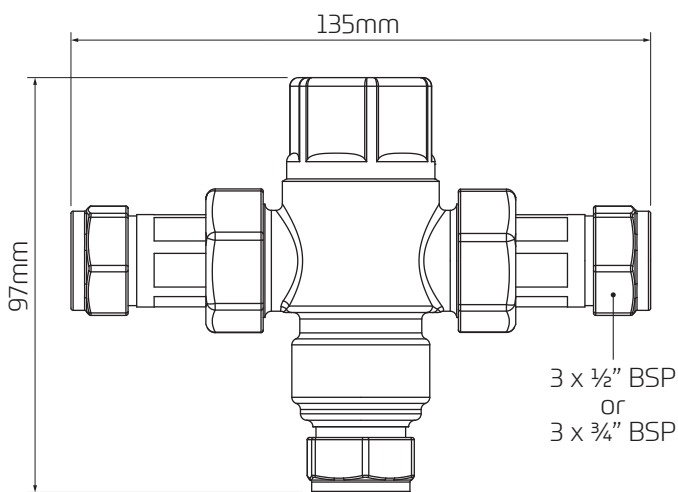
For use with Electroflo® taps and other pre-mixed taps.

Features

- ~ TMV2 & TMV3 certified
- ~ Integral check valve
- ~ Integral filter
- ~ WRAS approved
- ~ Buildcert approved.



Dimensional Data



Technical Data

| | |
|--------------------|--|
| Water Temp. Range | 30°C - 50°C |
| Operating Pressure | 0.2-10 Bar |
| Connection | ½" BSP or ¾" BSP |
| Conformity | BS 7942 Thermostatic mixing valves for use in care establishments. HTM 04-01 Supplement: D 08 Thermostatic mixing valves (healthcare premises). |
| Product Code | 324551 (15mm), 324552 (22mm) |