



Applications

Suitable for wall-hung or floor-mounted WCs, this cistern works with ENC 1001 wall-mount or ENC 1002 frame installations and is ideal for hotels, offices, residential and public buildings, retail, leisure facilities, and any air-conditioned environment.

Water Saving

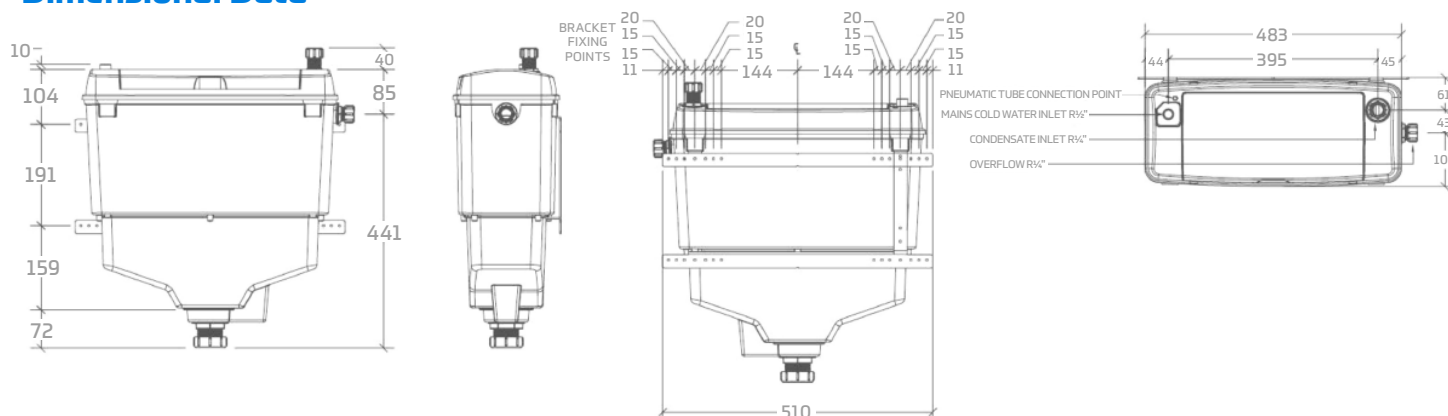
- ~ Grey water input capability
- ~ Adjustable flush volume between 6 litres and 3.½ litres
- ~ 6/5/4 litre single flush also available
- ~ Supports BREEAM and LEED credit contributions

Features

- ~ Concealed installation option
- ~ CAT 5 compliant
- ~ Pneumatic activation with manual or IR flush plate options
- ~ Wall or frame mounting bracket options
- ~ Supplied with: 600mm plastic air tube, 2" - 1.½" flush pipe and fittings
- ~ Dual fixing points for front or rear fixing



Dimensional Data



Technical Data

| | |
|--------------|---|
| Material | HIPS and Polyoxymethylene (POM) |
| Capacity | 18 litres |
| Connections | Mains water supply R 1/2, Overflow R 3/4, Grey water supply R 3/4 |
| Flush Volume | Adjustable 6L to 3.5L |
| Weight | 2.5kg |
| Product Code | 377372 |



T H O M A S
D U D L E Y

