



Applications

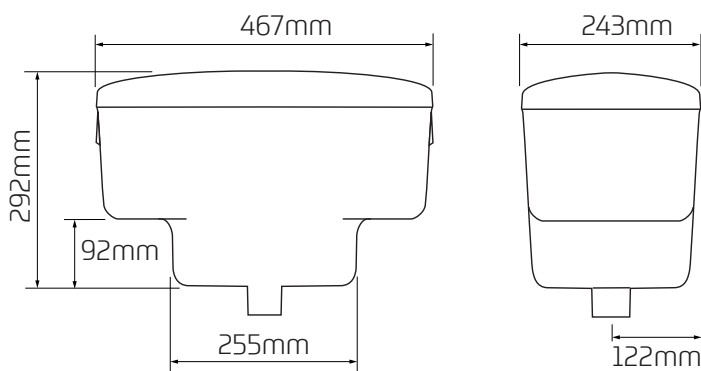
Ideal for use in domestic and commercial applications, particularly where risk of vandalism or misuse is present.

Features

- ~ WRAS approved Dudley Beta inlet valve
- ~ WRAS approved Dudley Turbo™ S1-11 syphon
- ~ Chain pull
- ~ Suitable for high level installations
- ~ Brass outlet connection and fixings available
- ~ Internal overflow warning
- ~ Internal parts comply with the Regulator's Specification.



Dimensional Data



Technical Data

Material	High Density Polystyrene (PS)
Inlet	Dudley Beta Inlet Valve: Side
Outlet	Dudley Turbo S1-11 Syphon
Flush Volume	Monoflush: 7 Litre, 9 Litre
Product Code	313510